

KombiSIGN 70 / Accessories

Tube with clamp BK



Part No.: 960.000.18

MECHANICAL DATA

Length	39 mm
Width	78 mm
Height	278 mm
Diameter	25 mm
Materials	PA
Housing colour	Black
Weight with packaging	175 g
Product weight	175 g

APPROVAL DATA

WEEE	No
Conforms with RED directive	No
Conforms with ATEX-directive	No
Conforms with CCC	No
Conforms with UL	No
Conforms with FCC	No
Conforms with IC	No
EAC certificate available	No
Conforms with AS-I	No
ICAO Certification	No
Conforms with DNV	No
Conforms with RoHS CN	No

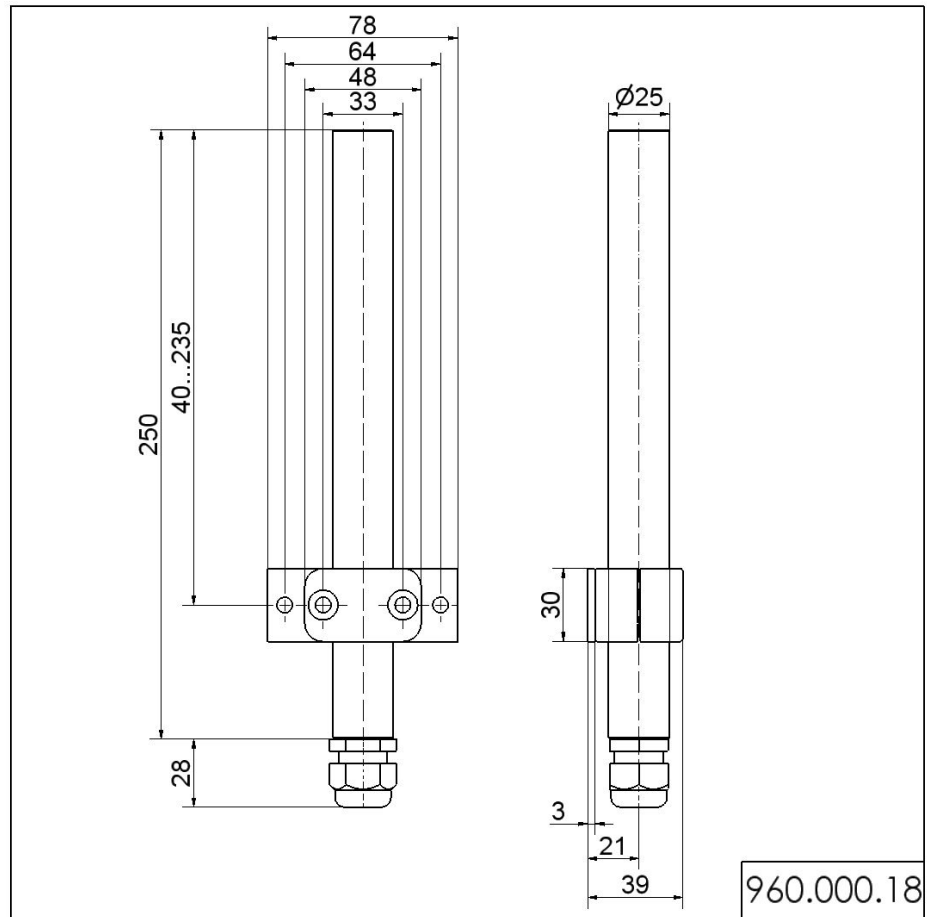


For additional installation and mounting information, refer to the appropriate user guide at www.werma.com. This printed copy is for information only and is subject to alteration.

KombiSIGN 70 / Accessories

Tube with clamp BK

DRAWING



! For additional installation and mounting information, refer to the appropriate user guide at www.werma.com. This printed copy is for information only and is subject to alteration.